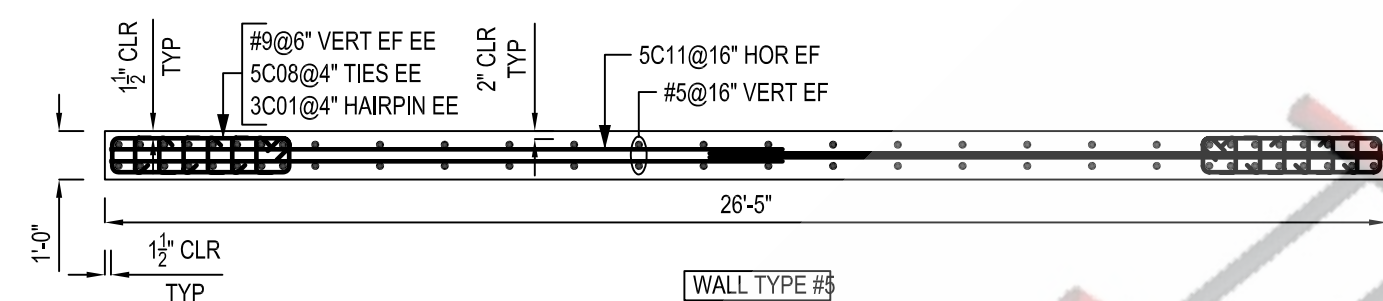
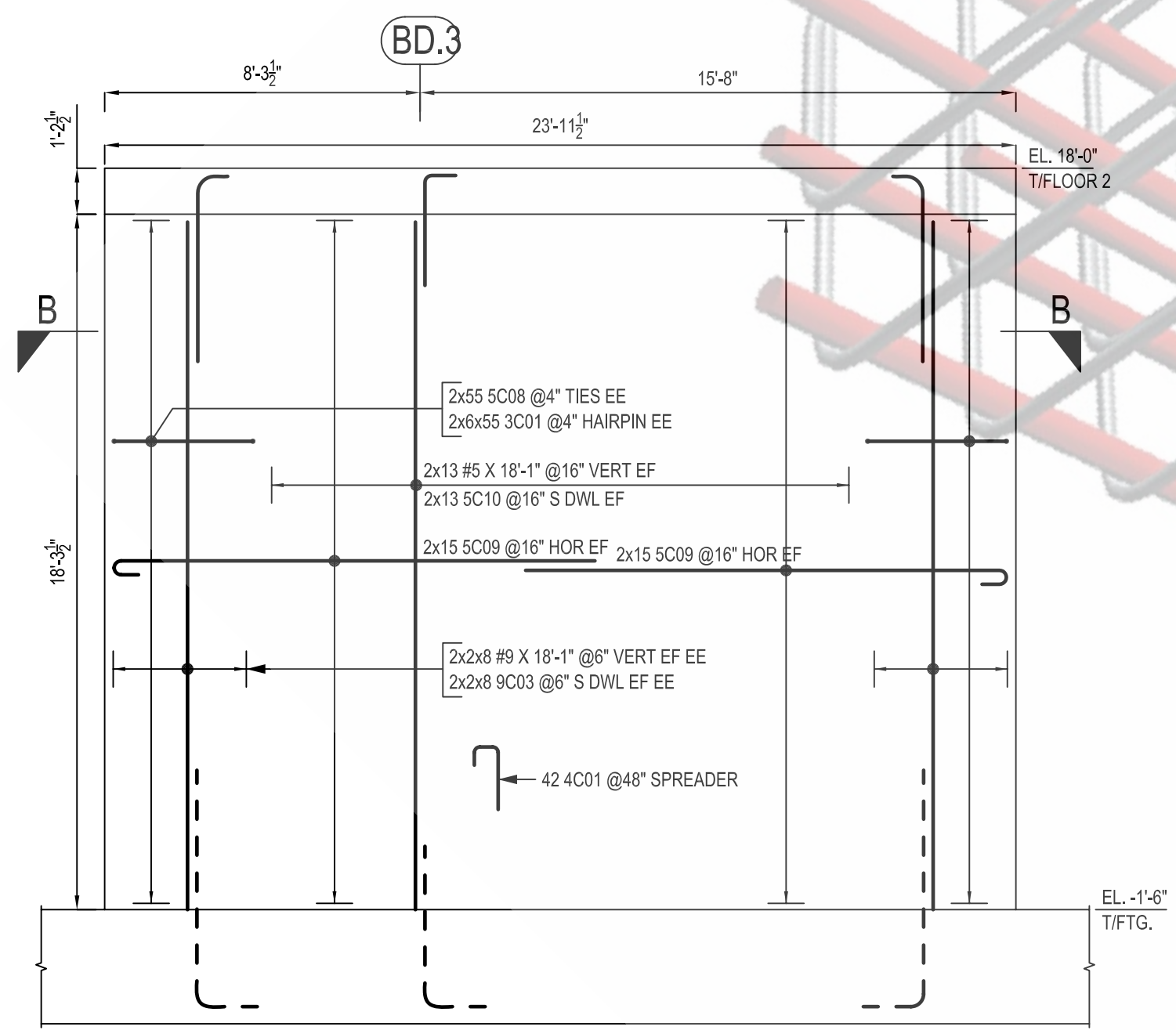


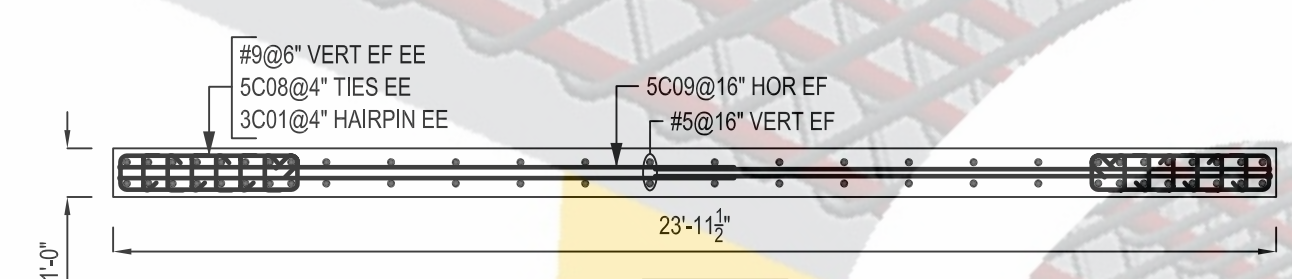
WALL TYPE #3
ELEVATION A
 SCALE: 1/4"=1'-0"
 SDR: 6/S4.2,7/S4.3 & 11/S5.1
 12" THICK SHEAR WALL



WALL TYPE #3
SECTION-AA
 SCALE: 1/4"=1'-0"
 SDR: 6/S4.2,7/S4.3 & 11/S5.1



WALL TYPE #3
ELEVATION B
 SCALE: 1/4"=1'-0"
 SDR: 6/S4.2,8/S4.3 & 11/S5.1
 12" THICK SHEAR WALL

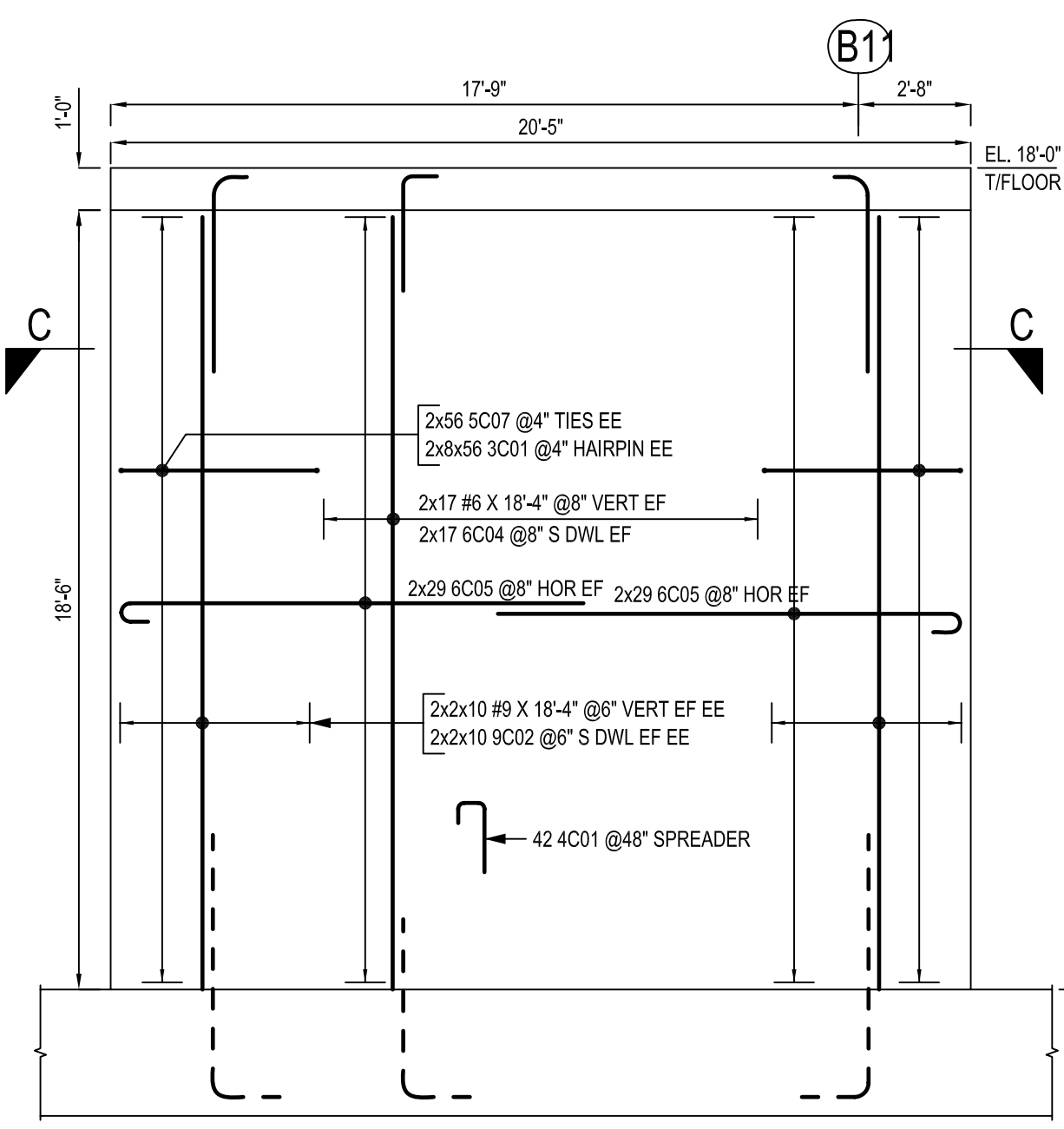


WALL TYPE #3
SECTION-BB
 SCALE: 1/4"=1'-0"
 SDR: 6/S4.2,8/S4.3 & 11/S5.1

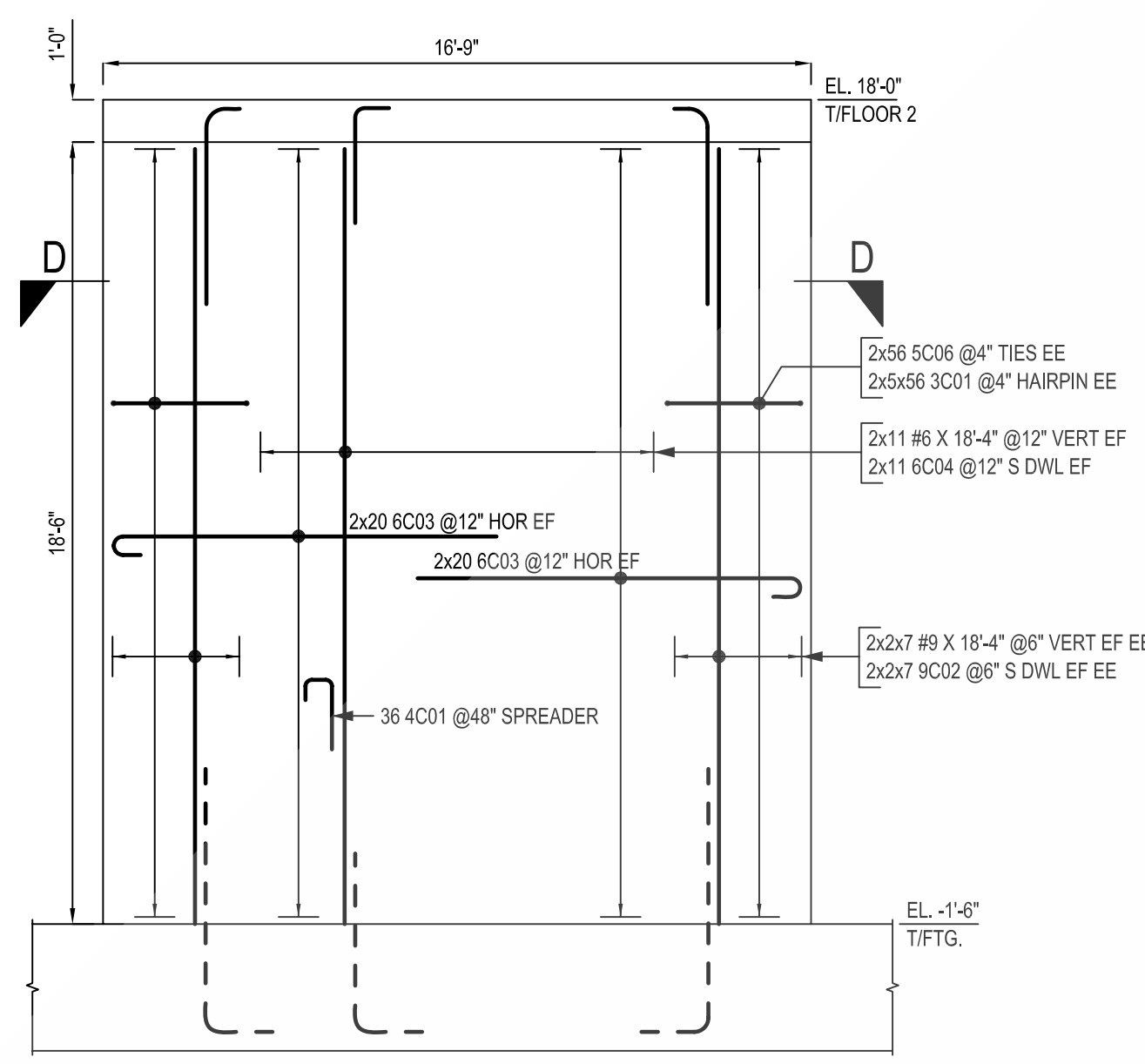


CONCRETE SHEAR WALL KEY PLAN
 SCALE: N.T.S.
 SDR: S2.1, A2.1 & A2.1A

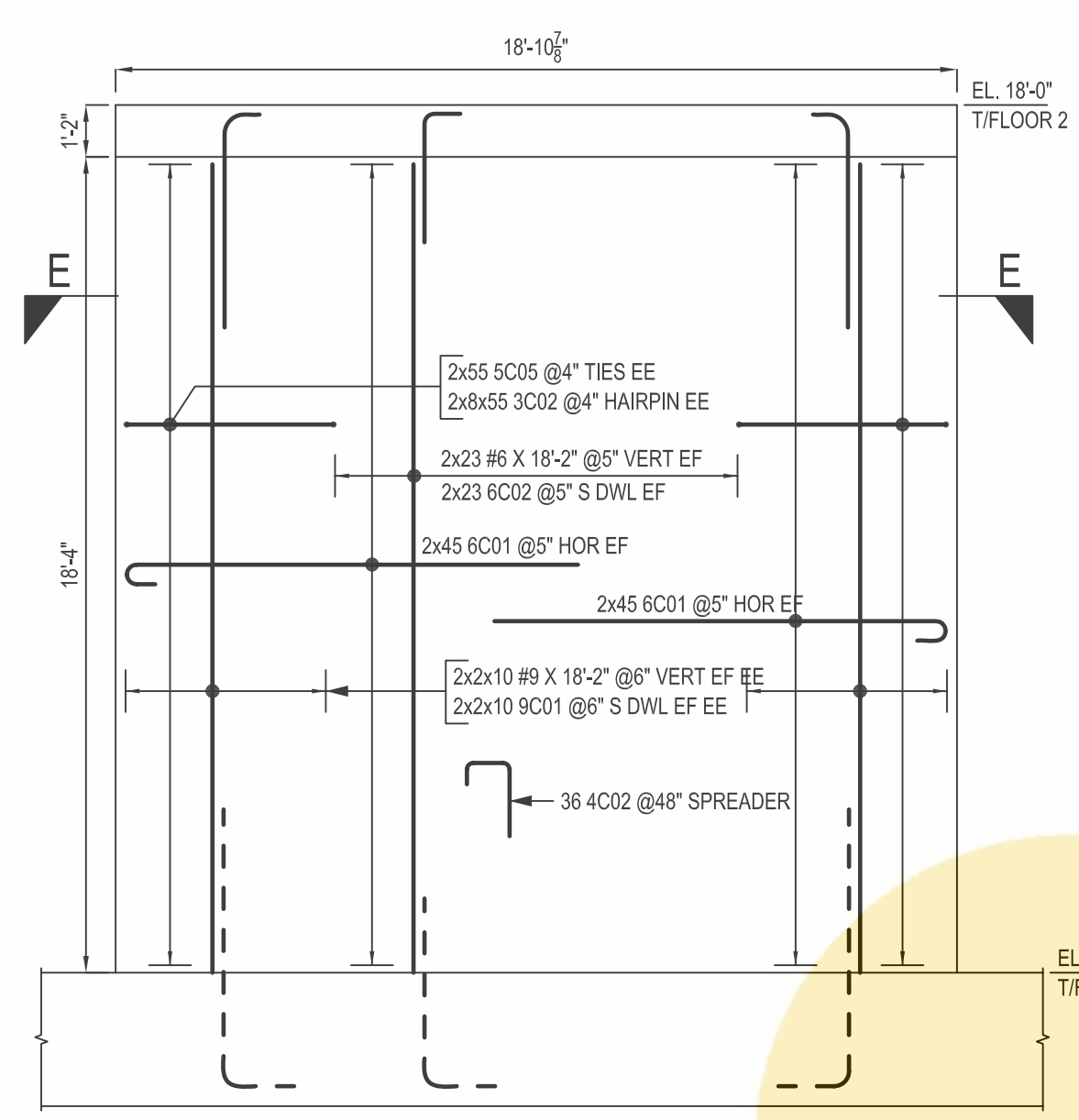
ONCE REBAR SERVICES



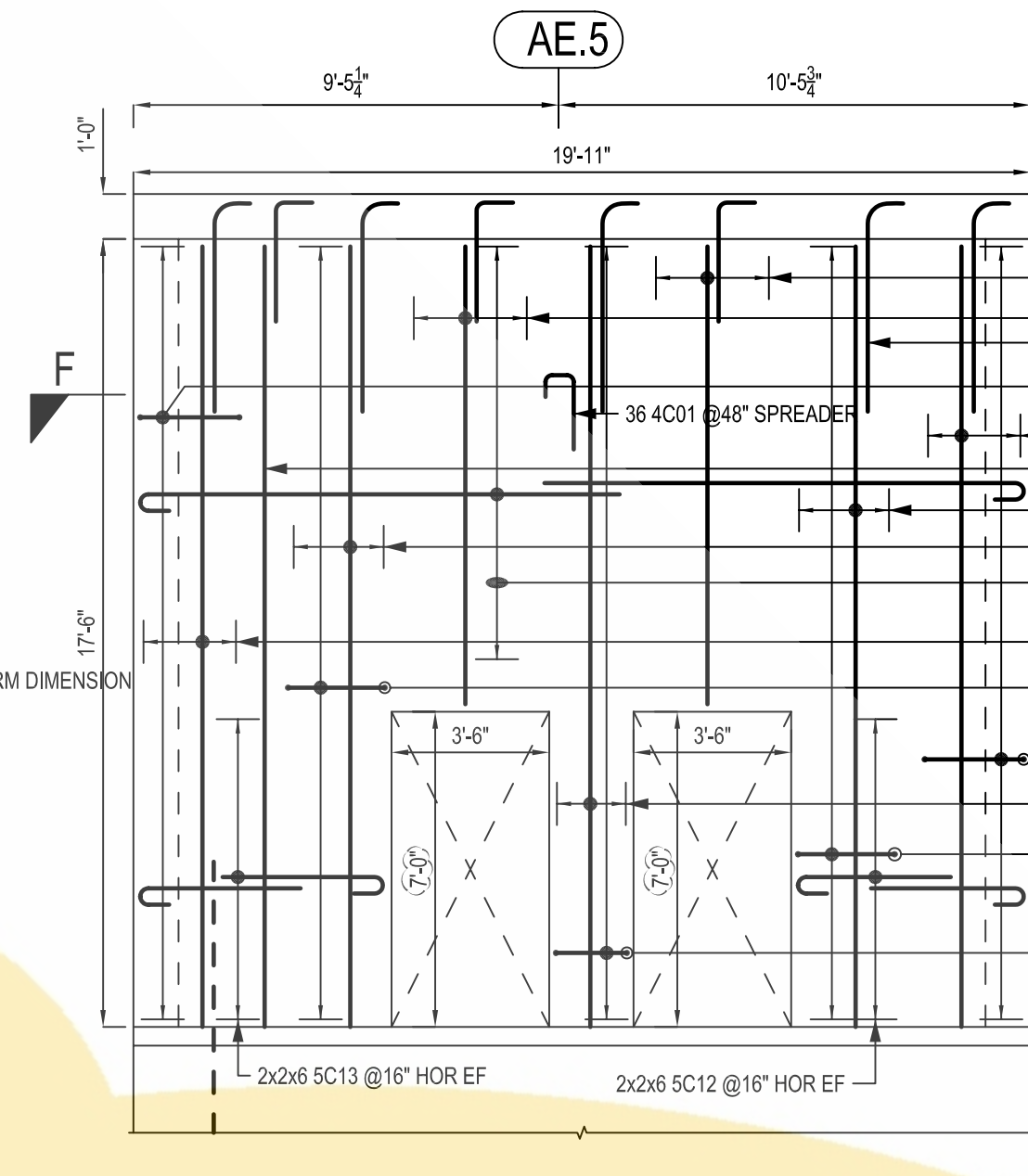
ELEVATION C
 SCALE: 1/4"=1'-0"
 SDR: 11/S4.2, 11/S4.3 & 11/S5.1
 12" THICK SHEAR WALL



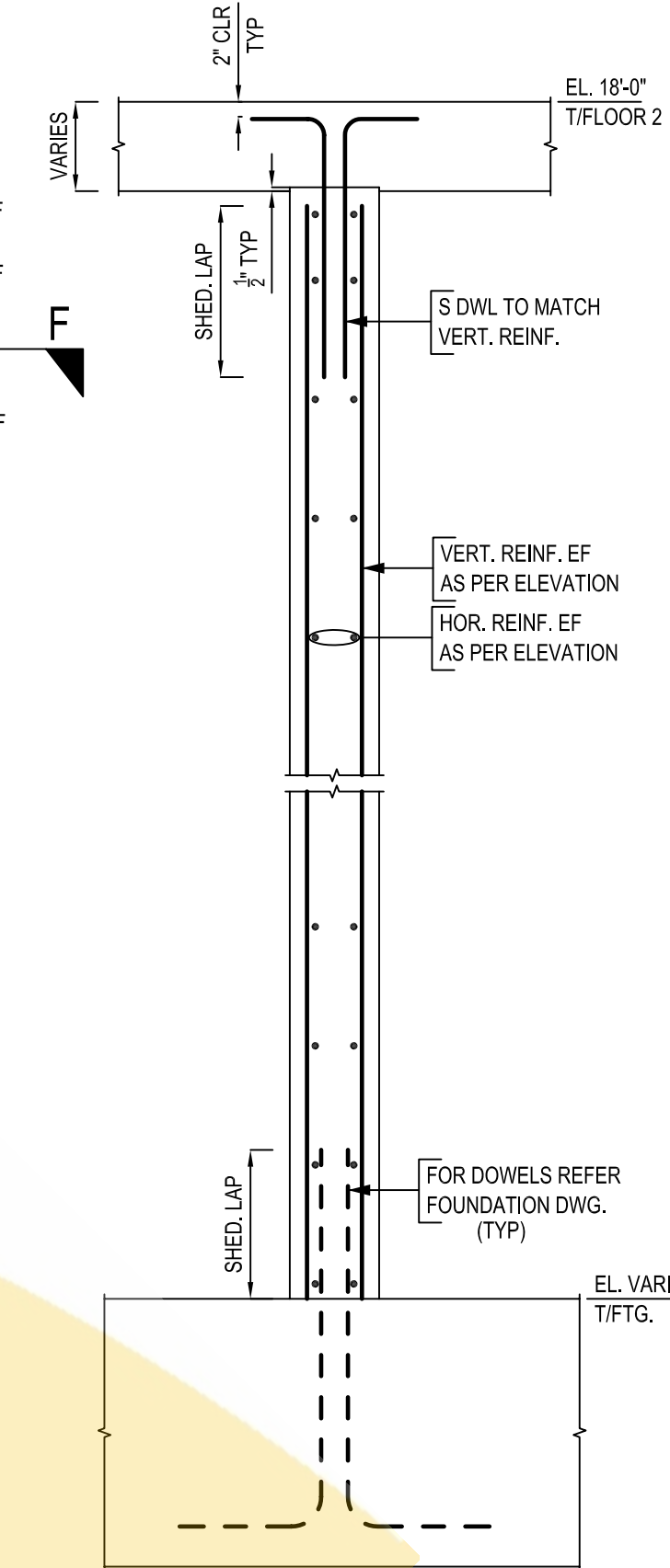
ELEVATION D
 SCALE: 1/4"=1'-0"
 SDR: 16/S4.2, 16/S4.3 & 11/S5.1
 12" THICK SHEAR WALL



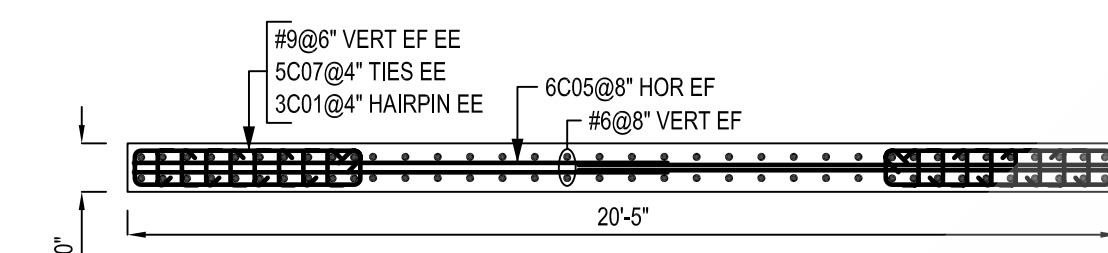
ELEVATION E
 SCALE: 1/4"=1'-0"
 SDR: 11/S4.2, 16/S4.3 & 11/S5.1
 16" THICK SHEAR WALL



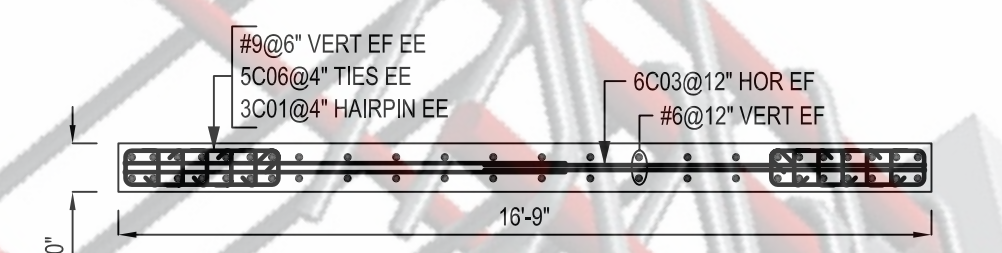
ELEVATION F
 SCALE: 1/4"=1'-0"
 SDR: 18, 19/S4.3 & 18, 20/S4.2
 12" THICK SHEAR WALL



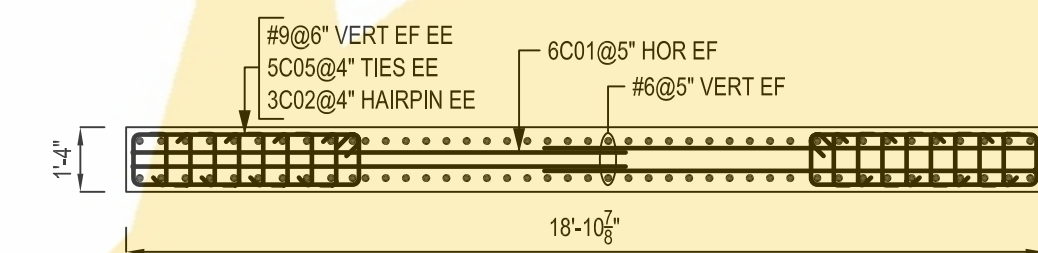
TYPICAL SHEAR WALL SECTION
 SCALE: 1/2"=1'-0"
 SDR: 20/S4.1



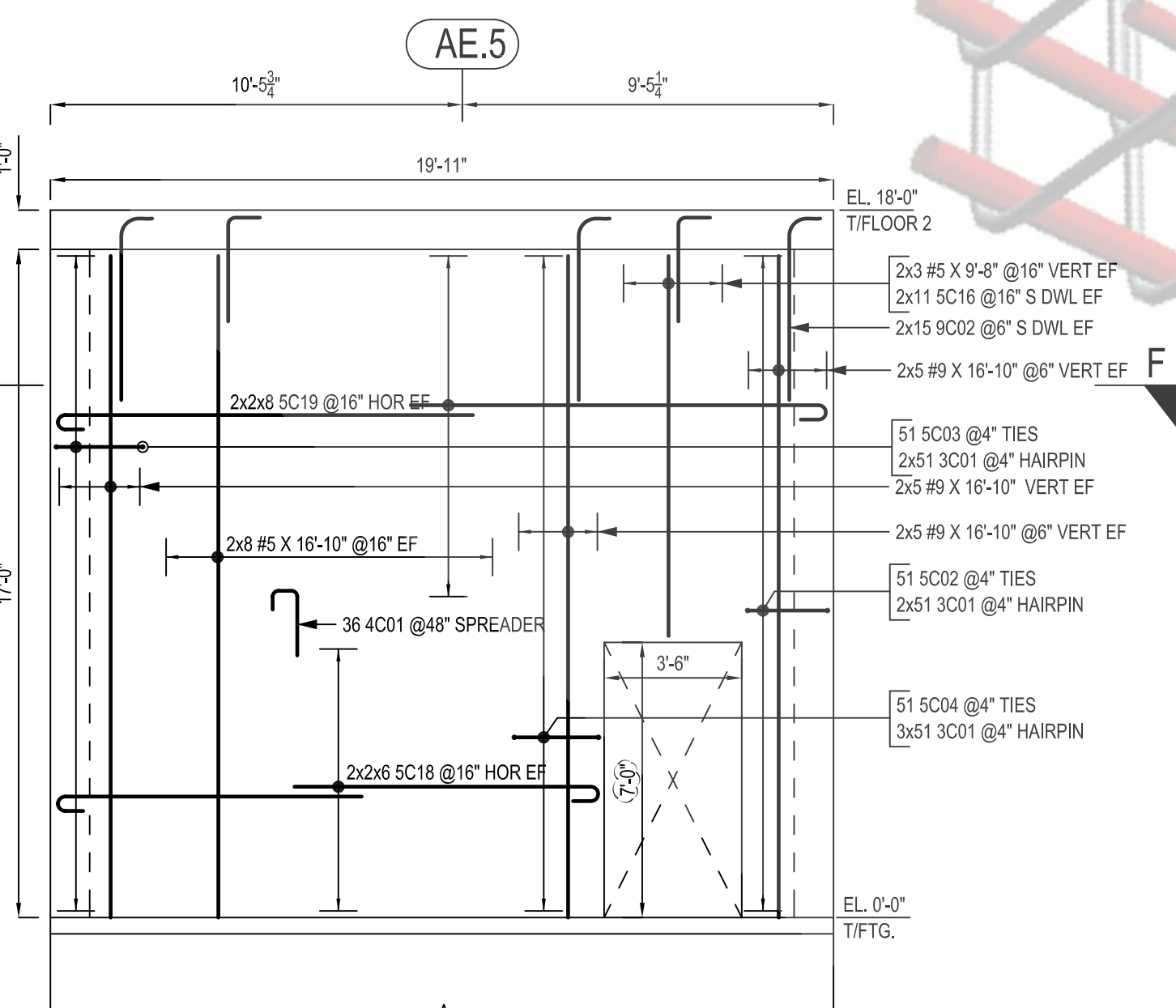
SECTION-CC
 SCALE: 1/4"=1'-0"
 SDR: 11/S4.2, 11/S4.3 & 11/S5.1



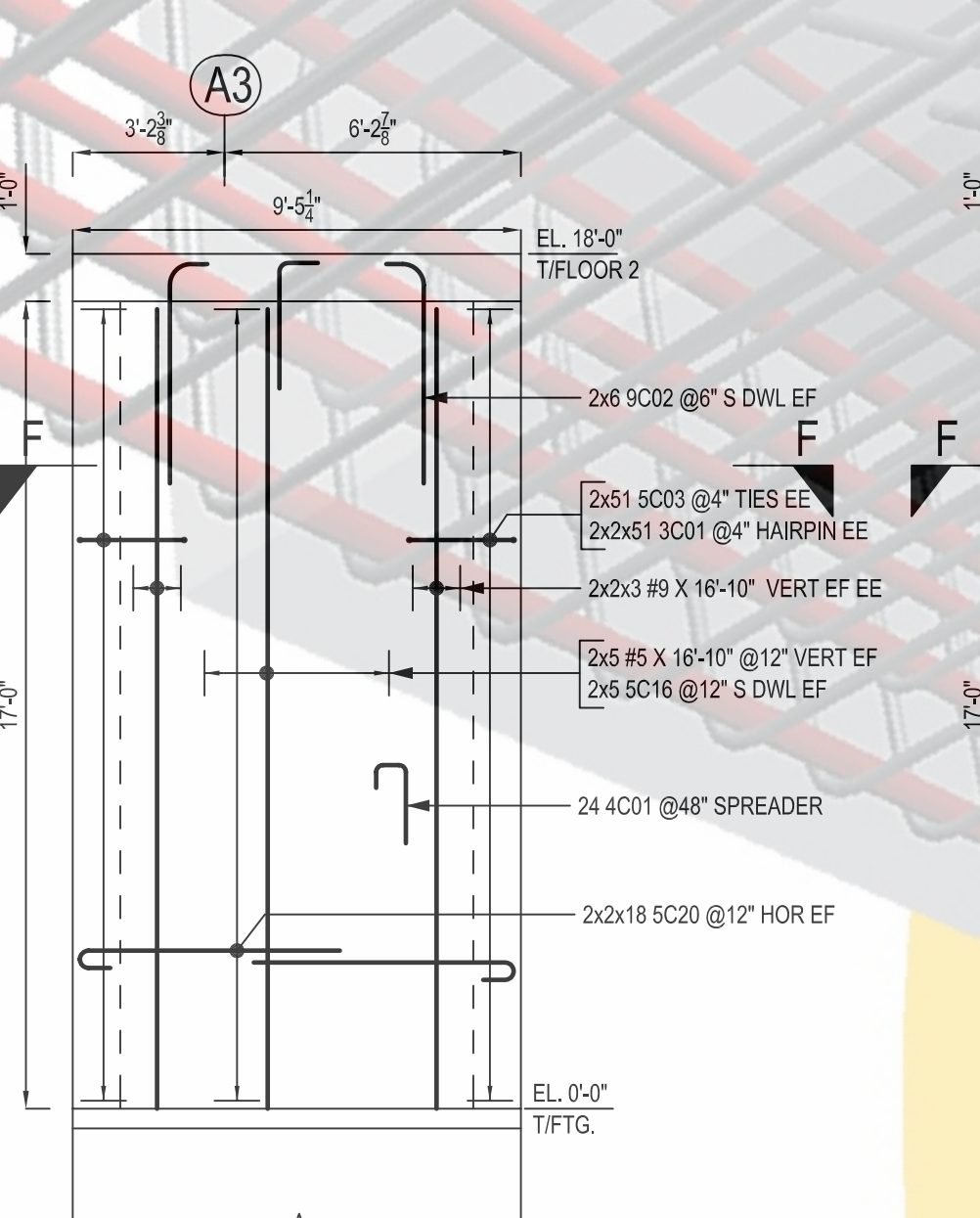
SECTION-DD
 SCALE: 1/4"=1'-0"
 SDR: 16/S4.2, 10/S4.3 & 11/S5.1



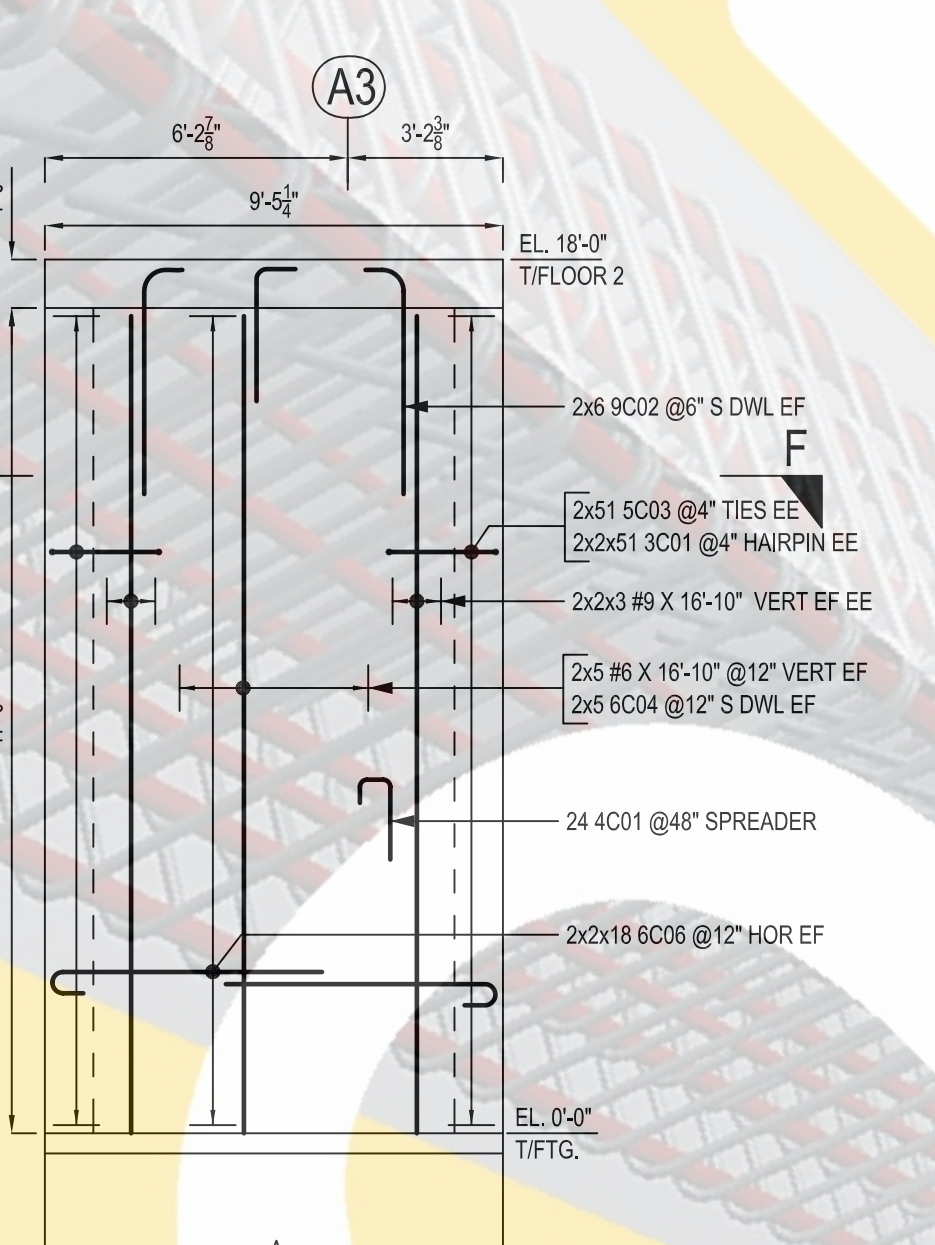
SECTION-EE
 SCALE: 1/4"=1'-0"
 SDR: 11/S4.2, 16/S4.3 & 11/S5.1



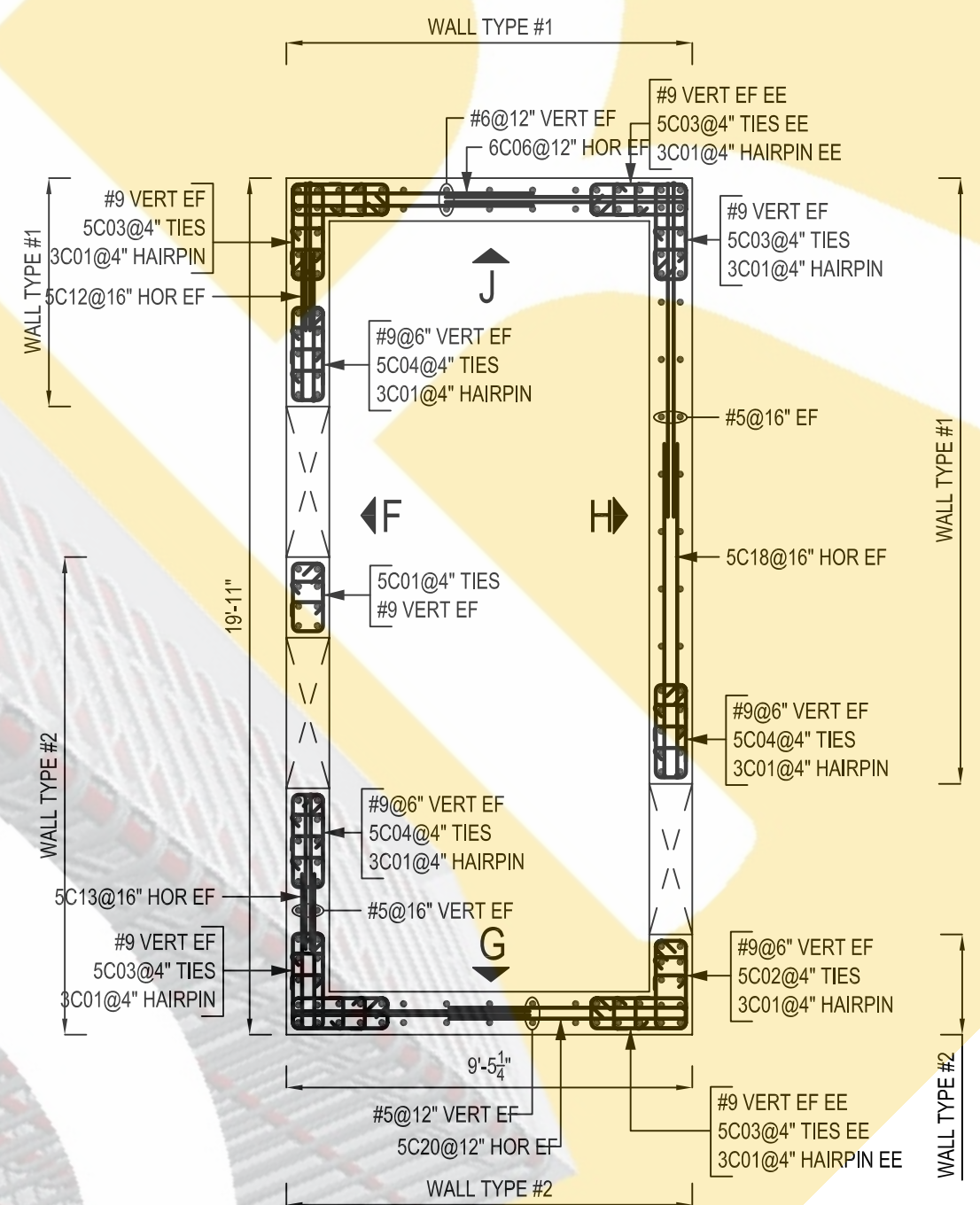
ELEVATION H
 SCALE: 1/4"=1'-0"
 SDR: 17, 20/S4.3 & 18, 20/S4.2
 12" THICK SHEAR WALL



ELEVATION G
 SCALE: 1/4"=1'-0"
 SDR: 13/S4.3 & 18, 20/S4.2
 12" THICK SHEAR WALL

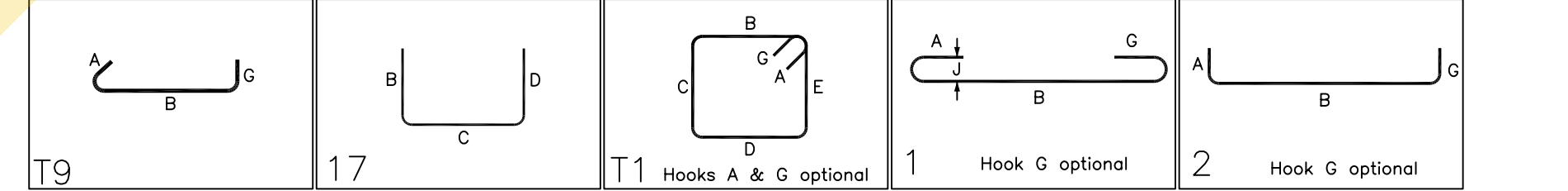


ELEVATION J
 SCALE: 1/4"=1'-0"
 SDR: 15/S4.3 & 18, 20/S4.2
 12" THICK SHEAR WALL



SECTION-FF
 SCALE: 1/4"=1'-0"
 SDR: 17, 20/S4.3 & 18, 20/S4.2
 12" THICK SHEAR WALL

Release Number: R03-R03A		BENDING LIST														
Bar Mark	Qty	Size	Total Length	Type	X'	Y'	Z'	U'	V'	W'	X'	Y'	Z'	U'	V'	
3C01	4177	#3	1'-5"	19	0'-4"	0'-9"									0'-4"	
3C02	880	#3	1'-9"	19	0'-4"	1'-1"									0'-4"	
4C01	288	#4	2'-10"	17	0'-6"	0'-8"	1'-8"								0'-4"	
4C02	36	#4	3'-2"	17	0'-6"	1'-0"	1'-8"								0'-4"	
5C01	53	#5	5'-8"	11	0'-5 1/2"	0'-9"	1'-7 1/2"	0'-9"	1'-7 1/2"						0'-5 1/2"	
5C02	51	#5	6'-7"	11	0'-5 1/2"	0'-9"	2'-1"	0'-9"	2'-1"						0'-5 1/2"	
5C03	361	#5	6'-11"	11	0'-5 1/2"	0'-9"	2'-3"	0'-9"	2'-3"						0'-5 1/2"	
5C04	157	#5	6'-9 1/2"	11	0'-5 1/2"	0'-9"	2'-2 1/2"	0'-9"	2'-2 1/2"						0'-5 1/2"	
5C05	110	#5	12'-5 1/2"	11	0'-5 1/2"	4'-8 1/2"	1'-1"	4'-8 1/2"	1'-1"						0'-5 1/2"	
5C06	112	#5	8'-9 1/2"	11	0'-5 1/2"	3'-2 1/2"	0'-9"	3'-2 1/2"	0'-9"						0'-5 1/2"	
5C07	112	#5	11'-9 1/2"	11	0'-5 1/2"	4'-8 1/2"	0'-9"	4'-8 1/2"	0'-9"						0'-5 1/2"	
5C08	220	#5	9'-9 1/2"	11	0'-5 1/2"	3'-8 1/2"	0'-9"	3'-8 1/2"	0'-9"						0'-5 1/2"	
5C09	60	#5	13'-6"	1	0'-10"	12'-8"									0'-5 1/2"	
5C10	56	#5	3'-9"	2	0'-10"	2'-11"									0'-5 1/2"	
5C11	60	#5	14'-8"	1	0'-10"	13'-10"									0'-5 1/2"	
5C12	24	#5	4'-3"	1	0'-10"	3'-5"									0'-5 1/2"	
5C13	24	#5	4'-5"	1	0'-10"	3'-7"									0'-5 1/2"	
5C15	32	#5	11'-6"	1	0'-10"	10'-8"									0'-5 1/2"	
5C16	46	#5	3'-6"	2	0'-10"	2'-8"									0'-5 1/2"	
5C18	24	#5	8'-7"	1	0'-10"	7'-9"									0'-5 1/2"	
5C19	32	#5	11'-5"	1	0'-10"	10'-7"									0'-5 1/2"	
5C20	72	#5	6'-4"	1	0'-10"	5'-6"									0'-5 1/2"	
6C01	180	#6	11'-0"	1	0'-10"	10'-2"									0'-5 1/2"	
6C02	46	#6	3'-9"	2	0'-10"	2'-11"									0'-5 1/2"	
6C03	80	#6	9'-11"	1	0'-10"	9'-1"									0'-5 1/2"	
6C04	66	#6	3'-7"	2	0'-10"	2'-9"									0'-5 1/2"	
6C05	116	#6	11'-10"	1	0'-10"	11'-0"									0'-5 1/2"	
6C06	72	#6	6'-5"	1	0'-10"	5'-7"									0'-5 1/2"	
9C01	40	#9	5'-8"	2	0'-10"	4'-10"									0'-5 1/2"	
9C02	172	#9	5'-6"	2	0'-10"	4'-8"									0'-5 1/2"	
9C03	64	#9	5'-9"	2	0'-10"	4'-11"									0'-5 1/2"	



BAR DIA.	LAP SCHEDULE
#3	20"
#4	25"
#5	31"
#6	37"
#8	47"
#9	54"
#11	67"

ONCE REBAR SERVICES